

1

2

3

4

5

6

A

B

C

D

E

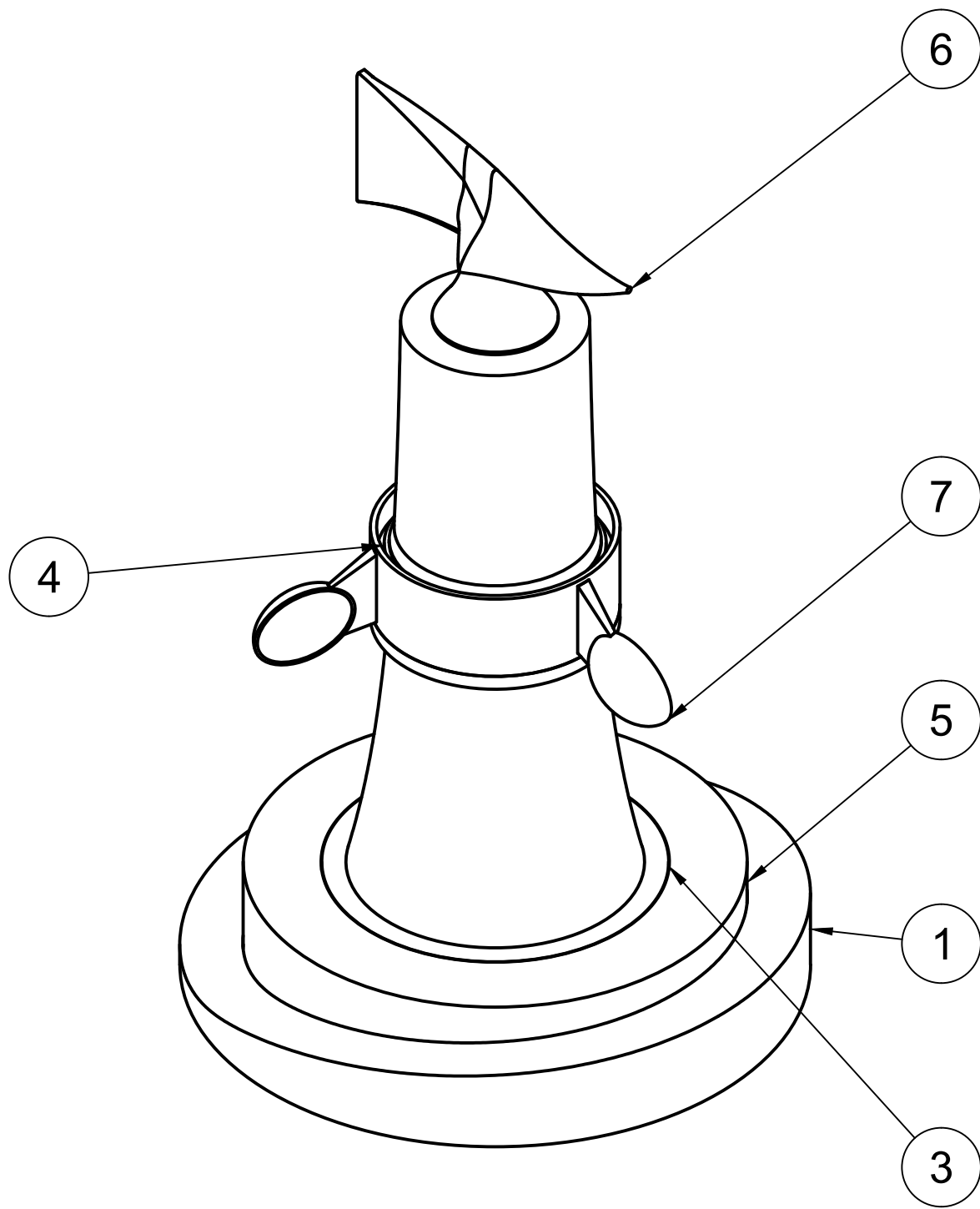
F

G

H

Elenco parti

Elem ento	Qtà	Numero parte	Materiale
1	1	BaseA	Acciaio
2	1	AsseRotante	Acciaio
3	1	Colonna	Acciaio
4	1	Anello	Acciaio
5	1	BaseB	Acciaio
6	1	Arrow	Acciaio
7	1	Tripale	Acciaio



Dept.	Technical reference	Created by Vinors 3D Lab 08/03/2026	Approved by
		Document type	Document status
		Title Wind Tower Assieme	DWG No.
		Rev.	Date of issue
		Sheet 1/10	

1

2

3

4

5

6

A

B

C

D

E

F

G

H

1

2

3

4

5

6

A

A

B

B

C

C

D

D

E

E

F

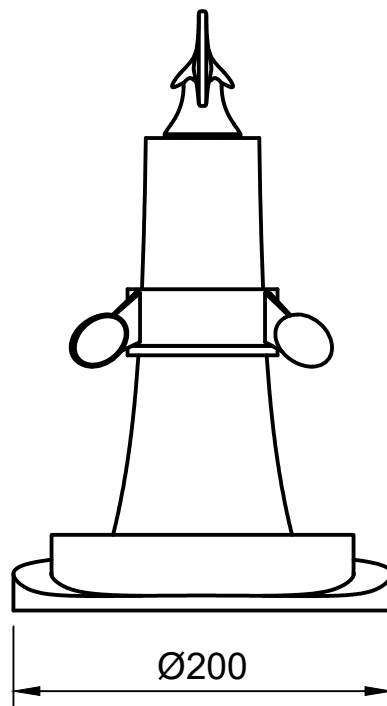
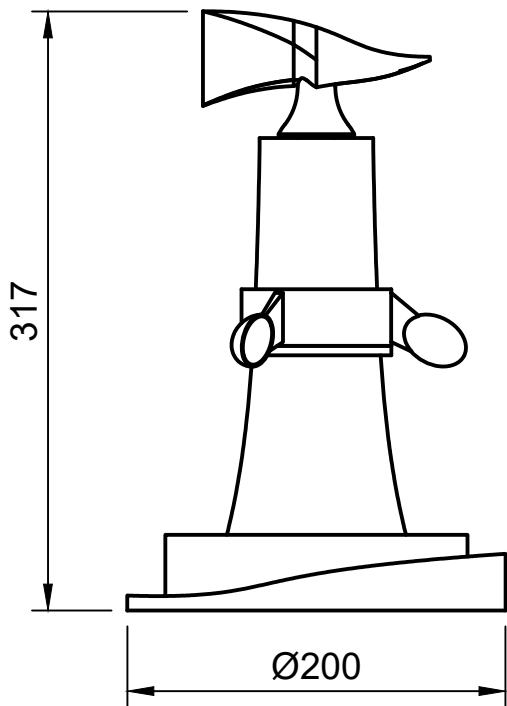
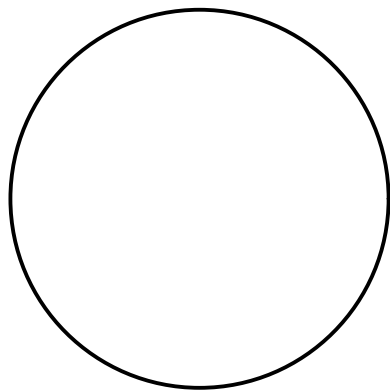
F

G

G

H

H



Dept.	Technical reference	Created by Vinors 3D Lab 08/03/2026	Approved by	
		Document type	Document status	
		Title Wind Tower Assieme	DWG No.	
		Rev.	Date of issue	Sheet 2/10

1

2

3

4

5

6

1

2

3

4

5

6

A

A

B

B

C

C

D

D

E

E

F

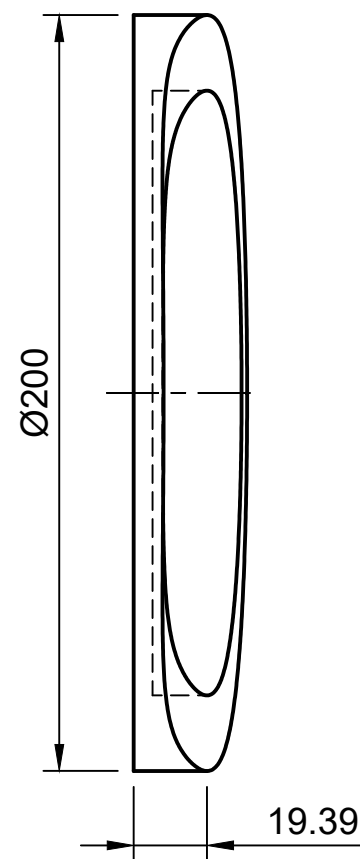
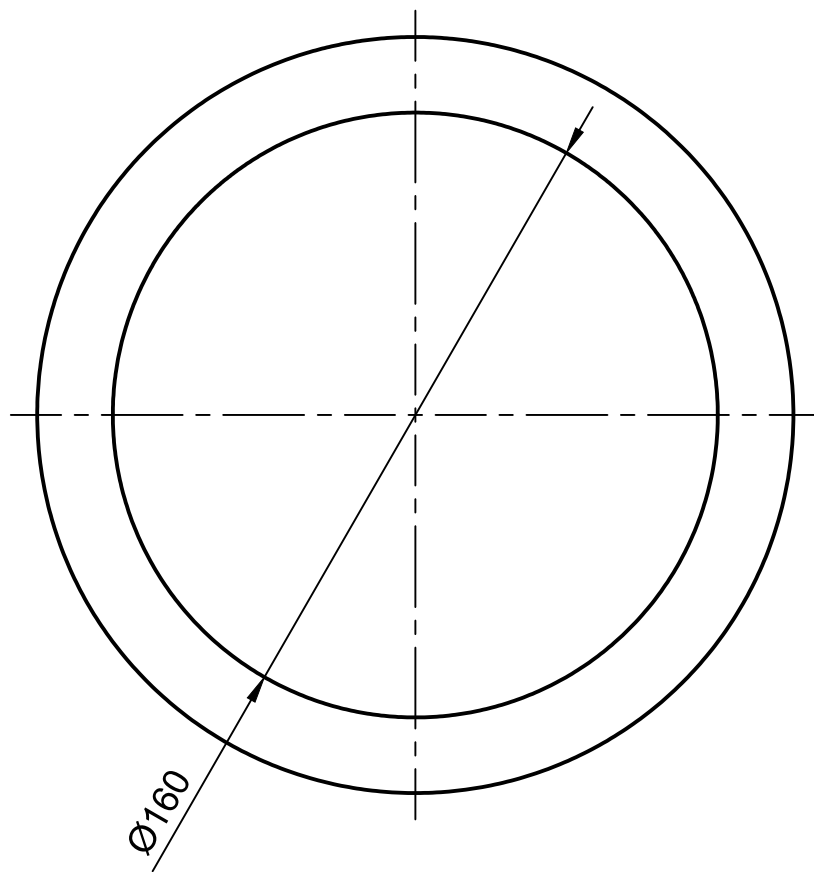
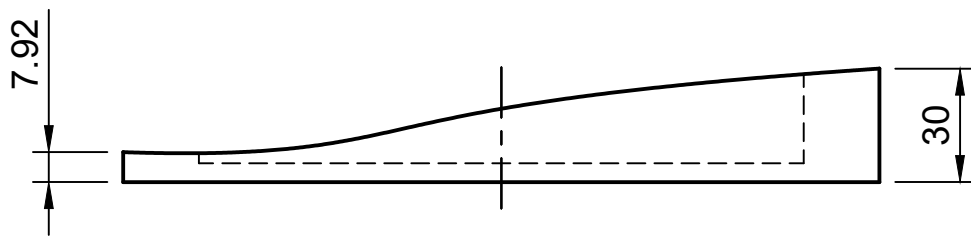
F

G

G

H

H



Dept.	Technical reference	Created by Vinors 3D Lab 08/03/2026	Approved by	
		Document type	Document status	
		Title Wind Tower Assieme	DWG No.	
		Rev.	Date of issue	Sheet 3/10

1

2

3

4

5

6

1

2

3

4

5

6

A

B

C

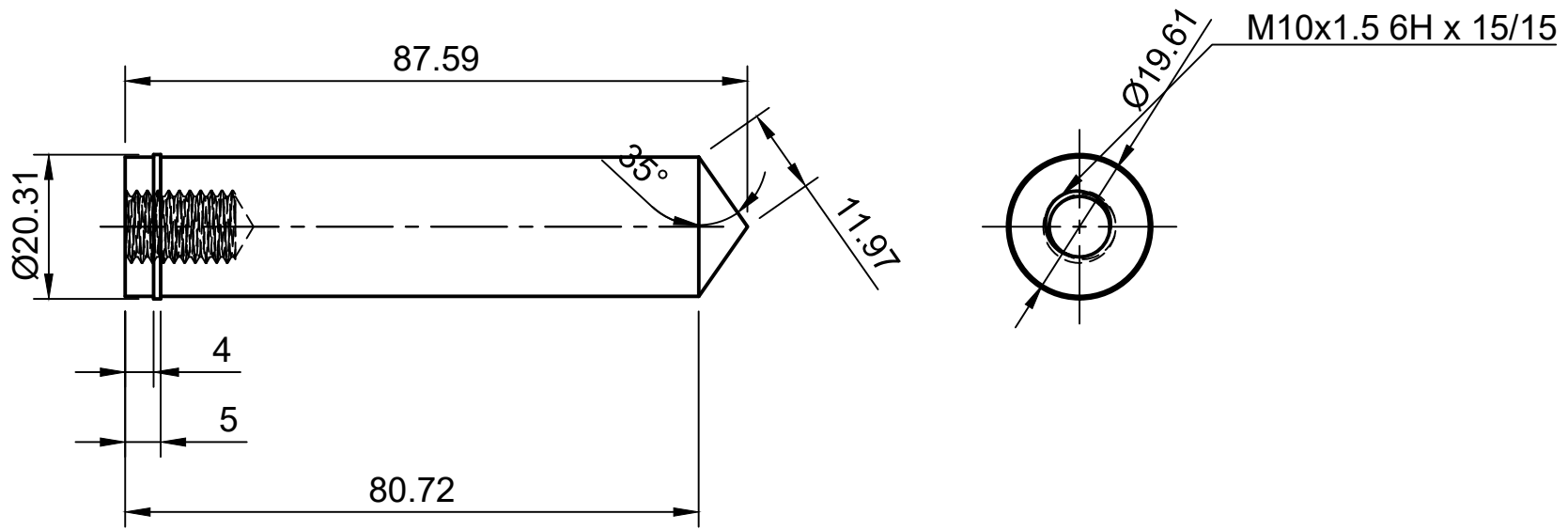
D

E

F

G

H



Dept.	Technical reference	Created by Vinors 3D Lab 08/03/2026	Approved by	
		Document type	Document status	
		Title Wind Tower Assieme	DWG No.	
		Rev.	Date of issue	Sheet 4/10

1

2

3

4

5

6

A

B

C

D

E

F

G

H

1

2

3

4

5

6

A

A

B

B

C

C

D

D

E

E

F

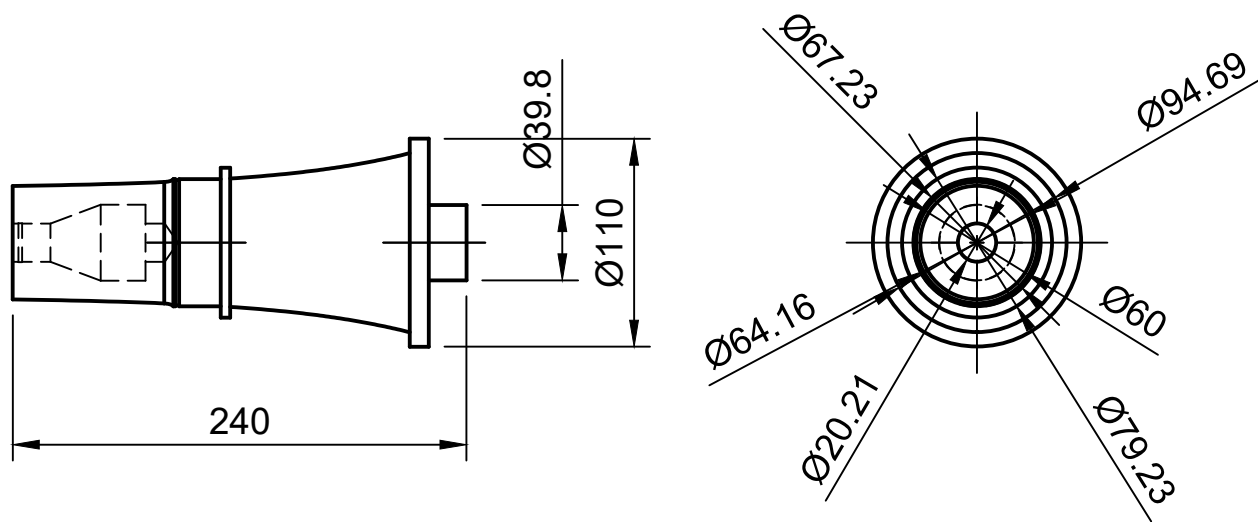
F

G

G

H

H



Dept.	Technical reference	Created by Vincenzo Orsini 08/03/2026	Approved by	
		Document type	Document status	
		Title Wind Tower Assieme	DWG No.	
		Rev.	Date of issue	Sheet 5/10

1

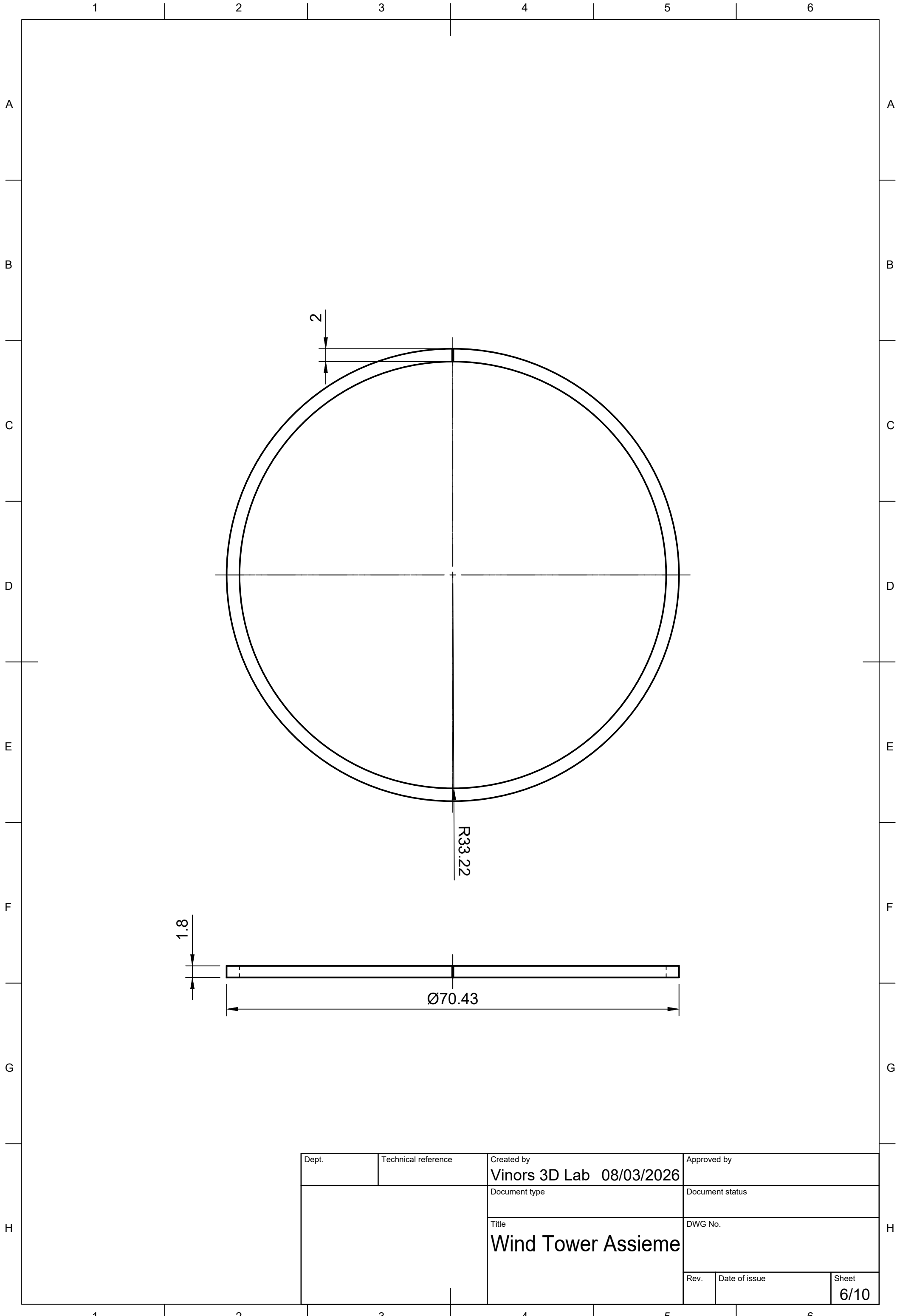
2

3

4

5

6



Dept.	Technical reference	Created by Vinors 3D Lab 08/03/2026	Approved by
		Document type	Document status
		Title Wind Tower Assieme	DWG No.
		Rev.	Date of issue
		Sheet 6/10	

1

2

3

4

5

6

A

B

C

D

E

F

G

H

A

B

C

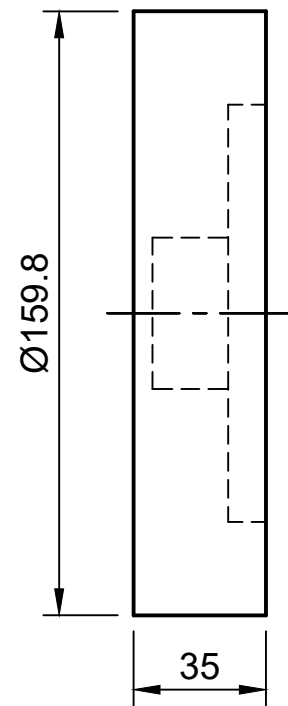
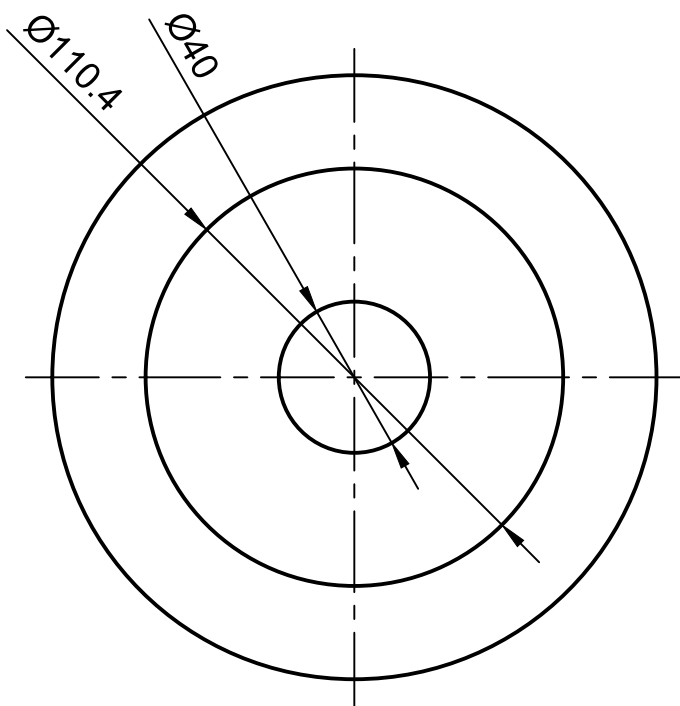
D

E

F

G

H



Dept.	Technical reference	Created by Vinors 3D Lab 08/03/2026	Approved by	
		Document type	Document status	
		Title Wind Tower Assieme	DWG No.	
		Rev.	Date of issue	Sheet 7/10

1

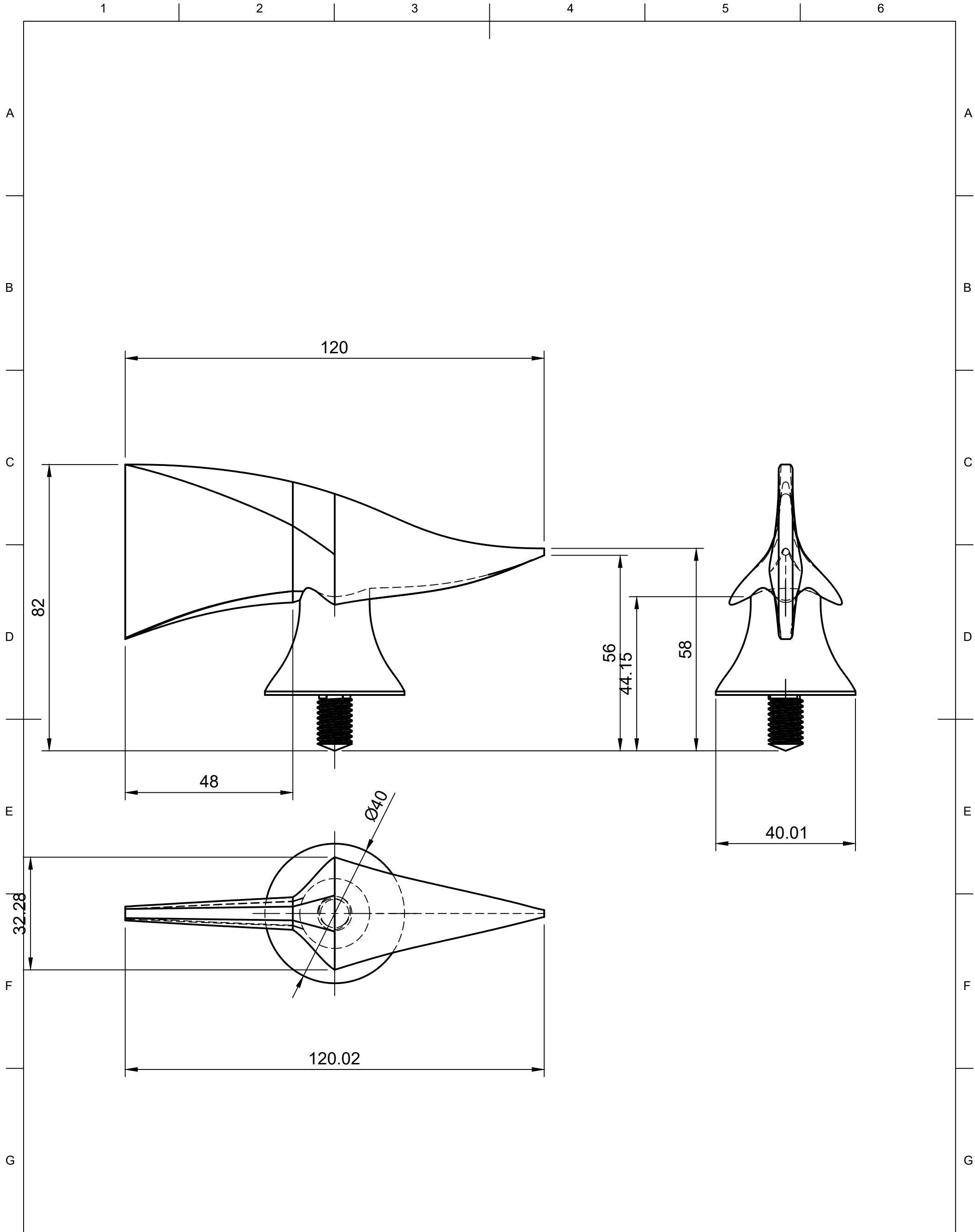
2

3

4

5

6



Dept.	Technical reference	Created by Vinors 3D Lab 08/03/2026	Approved by
		Document type	Document status
		Title Wind Tower Assieme	DWG No.
		Rev.	Date of issue
		Sheet 8/10	

1

2

3

4

5

6

A

A

B

B

C

C

D

D

E

E

F

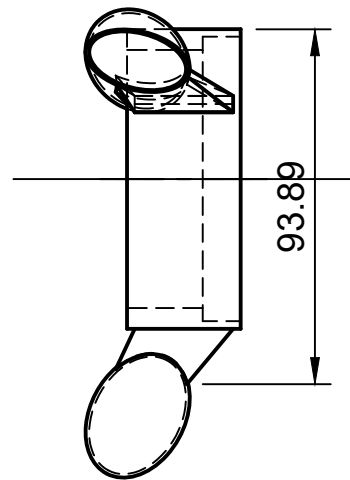
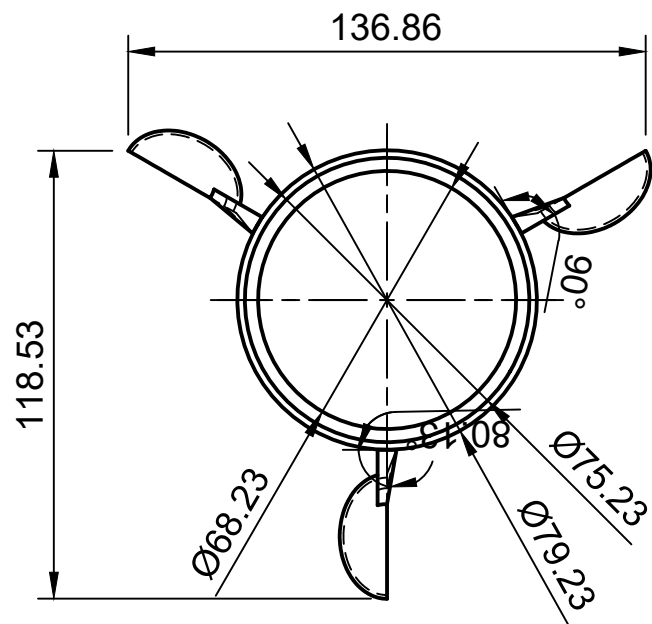
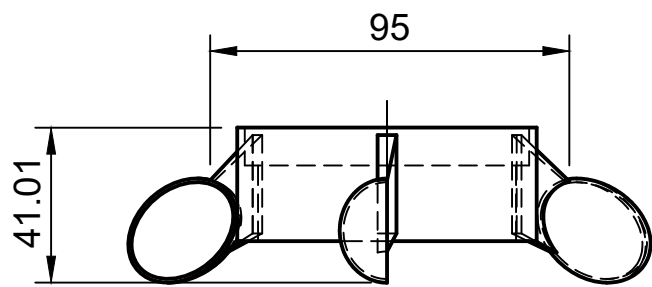
F

G

G

H

H



Dept.	Technical reference	Created by Vinors 3D Lab 08/03/2026	Approved by	
		Document type	Document status	
		Title Wind Tower Assieme	DWG No.	
		Rev.	Date of issue	Sheet 9/10

1

2

3

4

5

6

1

2

3

4

5

6

A

A

B

B

C

C

D

D

E

E

F

F

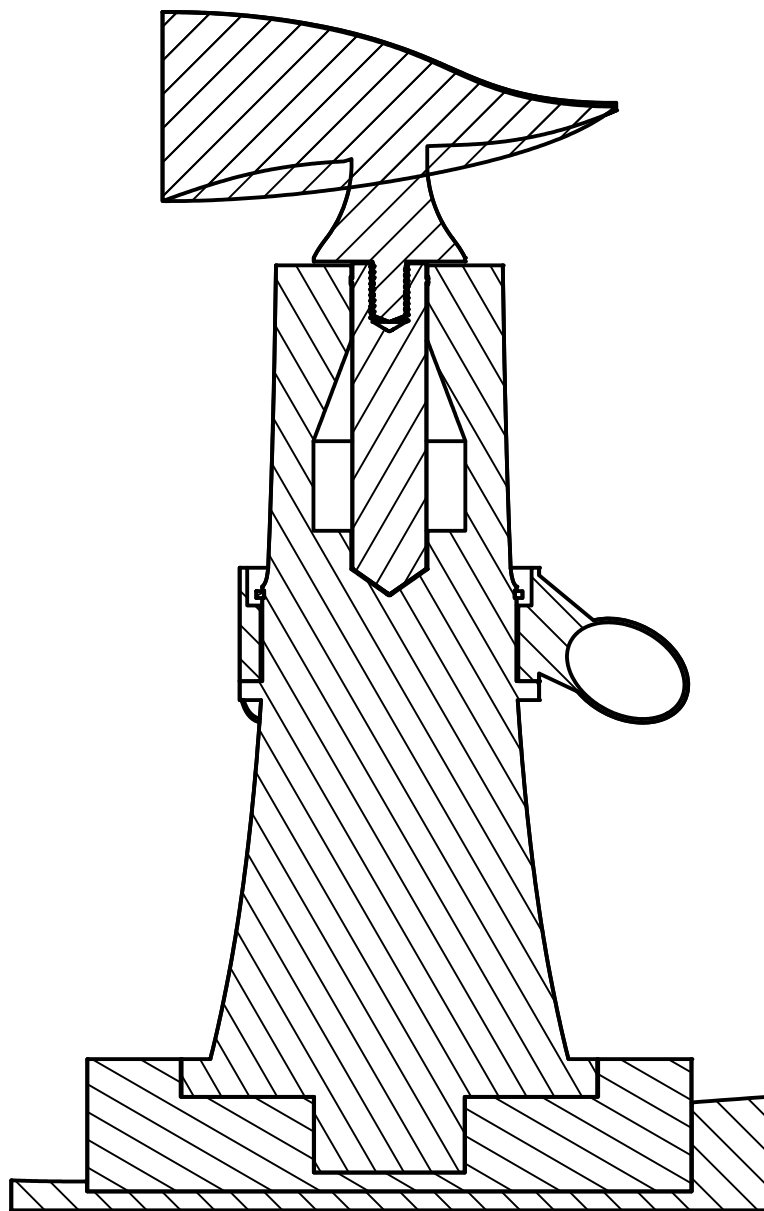
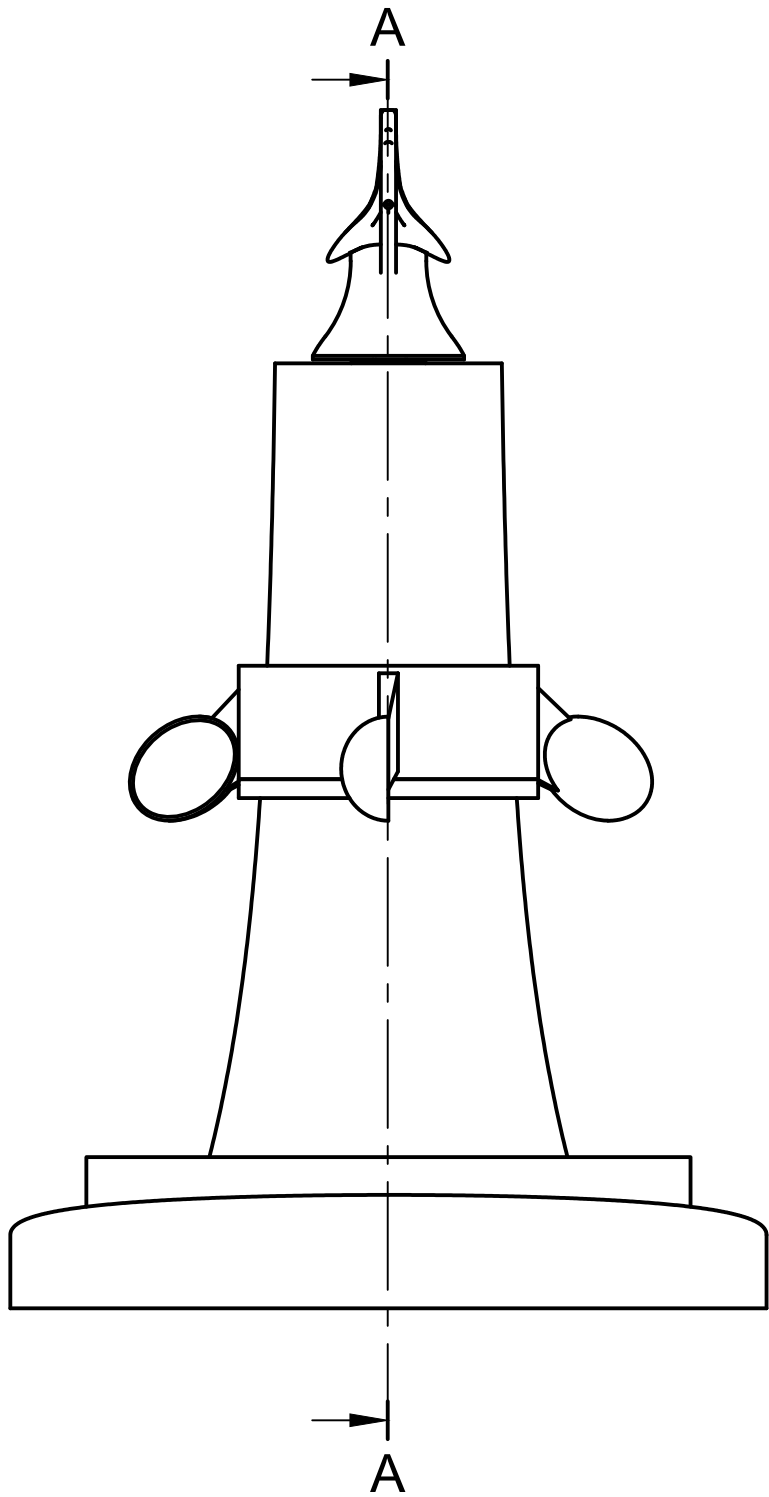
G

G

H

H

A-A (1:2)



Dept.	Technical reference	Created by Vinors 3D Lab 08/03/2026	Approved by
		Document type	Document status
		Title Wind Tower Assieme	DWG No.
		Rev.	Date of issue
		Sheet 10/10	

1

2

3

4

5

6